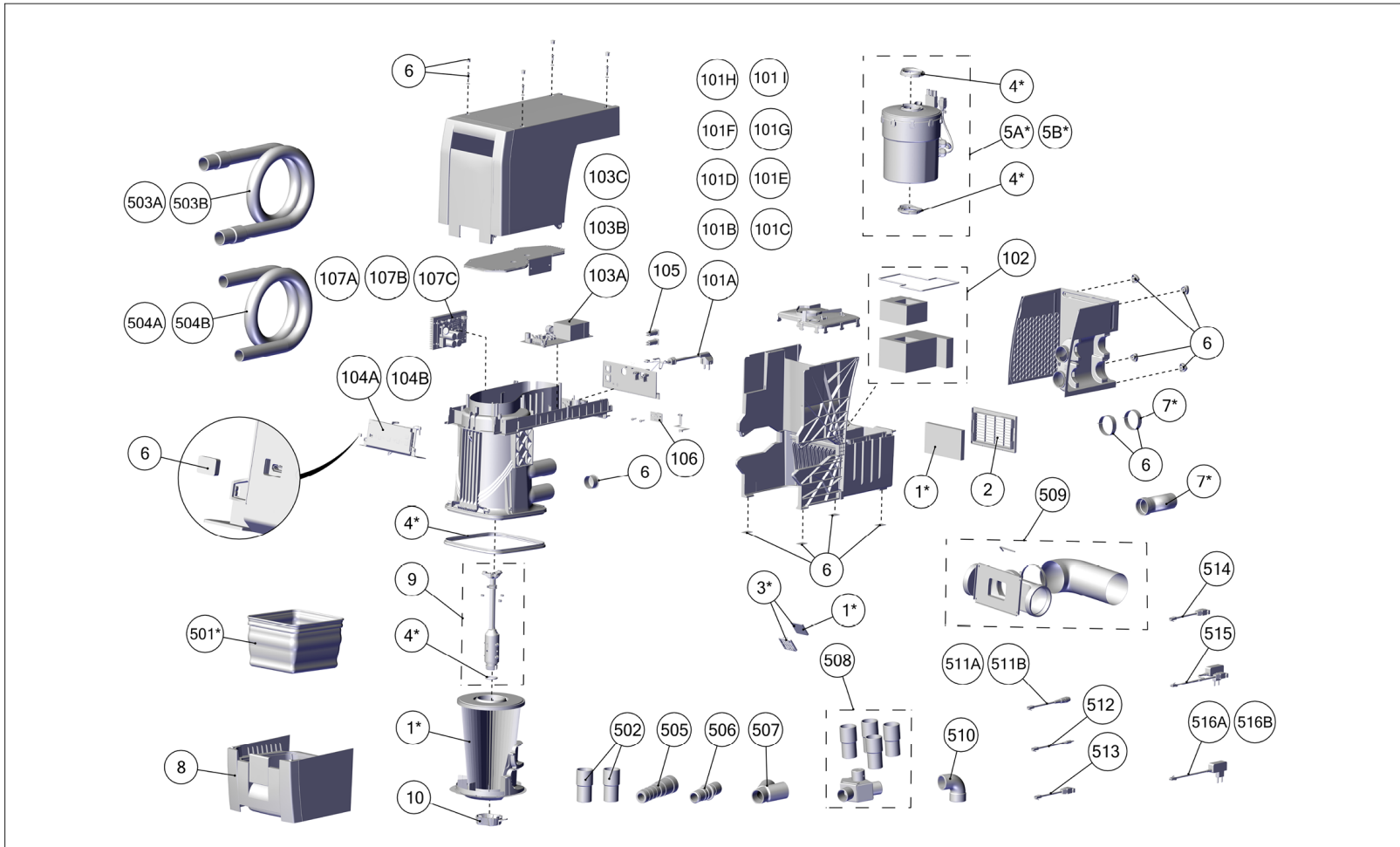




making work easy

Reparaturzeichnung • Repair services drawings • Eclatés pour les services de réparation • Esplosi per servizi d'assistenza
Diseños para servicios de reparaciones • Загрузка чертежей Для ремонтных мастерских

29390000 SILENT powerCAM EC



21-8678 27052019 / A



Version	Position	Name	Article number	Shopping list
A	1	Fine filter Class M for TC, TC2, EC2, powerCAM EC	900021584'	
A	2	Exhaust air filter set SILENT EC2, powerCAM EC	900037625	
A	3	Air filter for electronics complete	900034224'	
A	4	Retainer rings set SILENT EC2, powerCAM EC	900037616'	
A	5A	Motor unit SILENT EC2, powerCAM EC 230 V	900021630'	
A	5B	Motor unit SILENT EC2, powerCAM EC - 100/120 V	900021678	
A	6	Hardware kit SILENT EC2, powerCAM EC	900038671	
A	7	Air intake duct for SILENT TC/ TC2/ EC2/ powerCAM EC	29370001'	
A	8	Dust drawer SILENT EC2, powerCAM EC	900037423	
A	9	Vibration motor for cleaning SILENT EC2, powerCAM EC	900021589	
A	10	Filter nut	900037757	
A	101A	Power cable 230V	900033425	
A	101B	Power cord 120V	900033426	
A	101C	Power cord UK	900033543	
A	101D	Power cord Millo /pro / China	900033544	
A	101E	Power cord Millo /pro / Brazil	900033545	
A	101F	Power cord Millo /pro / South Africa	900033546	
A	101G	Power cord Millo /pro / Suisse	900033547	

*) Wear and tear parts, excluded from the guarantee.

Version	Position	Name	Article number	Shopping list
A	101H	Power cord Argentine	900033560	
A	101I	Power cord 3x1,5qmm / AUS/NZL	900036979	
A	102	Extraction air maze SILENT EC2, powerCAM EC	900037795	
A	103A	Printed circuitboard SILENT powerCAM EC - 230 V	900037752	
A	103B	Printed circuitboard SILENT powerCAM EC - 120 V	900037753	
A	103C	Printed circuitboard SILENT powerCAM EC - 100 V	900038730	
A	104A	Control unit cpl. SILENT powerCAM EC	900021640	
A	104B	Control unit SILENT powerCAM EC - 100 V	900021618	
A	105	Appliance protective switch 15A	900034668	
A	106	Printed circuitboard CAM interface (SILENT powerCAM EC)	900037499	
A	107A	EC-Controller 230 V SILENT EC2 powerCAM EC	900037770	
A	107B	EC-Controller SILENT EC2, powerCAM EC - 120 V	900037771	
A	501	Waste bag for TC, TC2, EC, EC2 & PowerCAM EC (25 pcs)	29340014'	
A	502	End bushing set, 2 pieces	29210003	
A	503A	Suction Hose	900034240	
A	503B	Suction hose, antistatic, 3 m, incl. 2 end mufflers	900034826	
A	504A	Suction hose inside diameter 38 mm, 6 m	901150823	
A	504B	Suction hose inside diameter 38 mm, 9 m	902150823	

*) Wear and tear parts, excluded from the guarantee.



Version	Position	Name	Article number	Shopping list
A	505	Adapter for hose connection	900034305	
A	506	Universal suction hose adapter	900034430	
A	507	Y-junction	900034314	
A	508	Y-Junction for dust extractor	29260000	
A	509	External air duct for SILENT TC/ TC2/ EC2/ powerCAM EC	29370002	
A	510	90° angled connector Silent	29340007	
A	511A	Interface cable Type A for vhf	29340005	
A	511B	Interface cable Type G for vhf (6-pin, from K5)	29340013	
A	512	Interface cable Type B for Roland DG	29340006	
A	513	Interface cable Type C for imes-icore	29340008	
A	514	Interface cable Type D for Amann Girrbach	29340009	
A	515	Interface cable Type E for Yenadent/Origin + Nema adapter	29340010	
A	516A	Interface cable Type F for Zirkonzahn	29340011	
A	516B	Interface cable Type F for Zirkonzahn + C14 adapter	29340012	

) Wear and tear parts, excluded from the guarantee.